

User Manual

PaceBlade MDT-8XX Series

MDT with RJ45 connector

Transport (fleet / public) Tablet



Content

1. Safety Precautions	3
1.1 Device	3
1.2 Environment	3
2. Product Overview	4-5
2.1 Package components.....	4
2.2 Front / Left / Right / Top / Bottom / Rear	5
3. Getting started	6-11
3.1 Inserting SIM card & TF card	6
3.2 Mounting the RAM and cradle	7
3.3 Locking device and Unlocking device	8
3.4 Remove device from cradle	9
3.5 Cradle cable pin assignment	10
3.6 Turning on the device	10
3.7 Charging the device	11
4. Android Tutorials	12-16
4.1 Start screen	12
4.2 Home screen	12
4.3 Status bar	13
4.4 APP screen	13
4.5 Switching between apps	14
4.6 Viewing two apps at once	15
4.7 Closing active apps	16
4.8 Turning off the device	16
5. Connecting to networks	17
5.1 Connecting to Wi-Fi network	17
5.2 Connecting to a Mobile network	17
5.3 Sharing a Mobile network	17
5.4 Disconnecting from a network	17
6. Using Card slots	18-21
6.1 Inserting SIM card	18
6.2 Removing SIM card	19
6.3 Inserting TF card	20
6.4 Removing TF card	21
7. Specification	22-23
8. Customization Services	23
9. Safety & Regulatory Compliance	24

1. Safety Precautions

1.1 Device

The tablet and the battery should not be thrown into fire and not used in areas where the temperature exceeds the specified values. This can lead to the outbreak of a fire or cause the battery to explode. In addition, this will result in a battery leak and the functionality will be significantly reduced, or, in a worst-case scenario, the tablet can no longer be used. If you notice that the temperature of the battery is unusually high when charging the battery or when using the tablet, this can mean that the battery has overheated. In such cases, please quit what you are doing and allow the device to cool off.

Do not charge the battery continuously for more than 24 hours.

Should these precautions be disregarded, we cannot guarantee optimal performance and optional repairs will not be covered under standard warranty.

Please charge and discharge the device in one cycle at room temperature when devices are stored for half a year or longer.

Do not attempt to repair, customize, or disassemble the device without the appropriate knowledge and pre-cautions, as this may lead to dangerous situations with high chance of damaging the product.

Do not use in extreme conditions such as high or low temperatures, high humidity or moist environments and around magnetic fields.

Avoid long-time exposure to sunlight. Only use accessories permitted by the manufacturer to avoid damages to the product with possibly warranty loss.

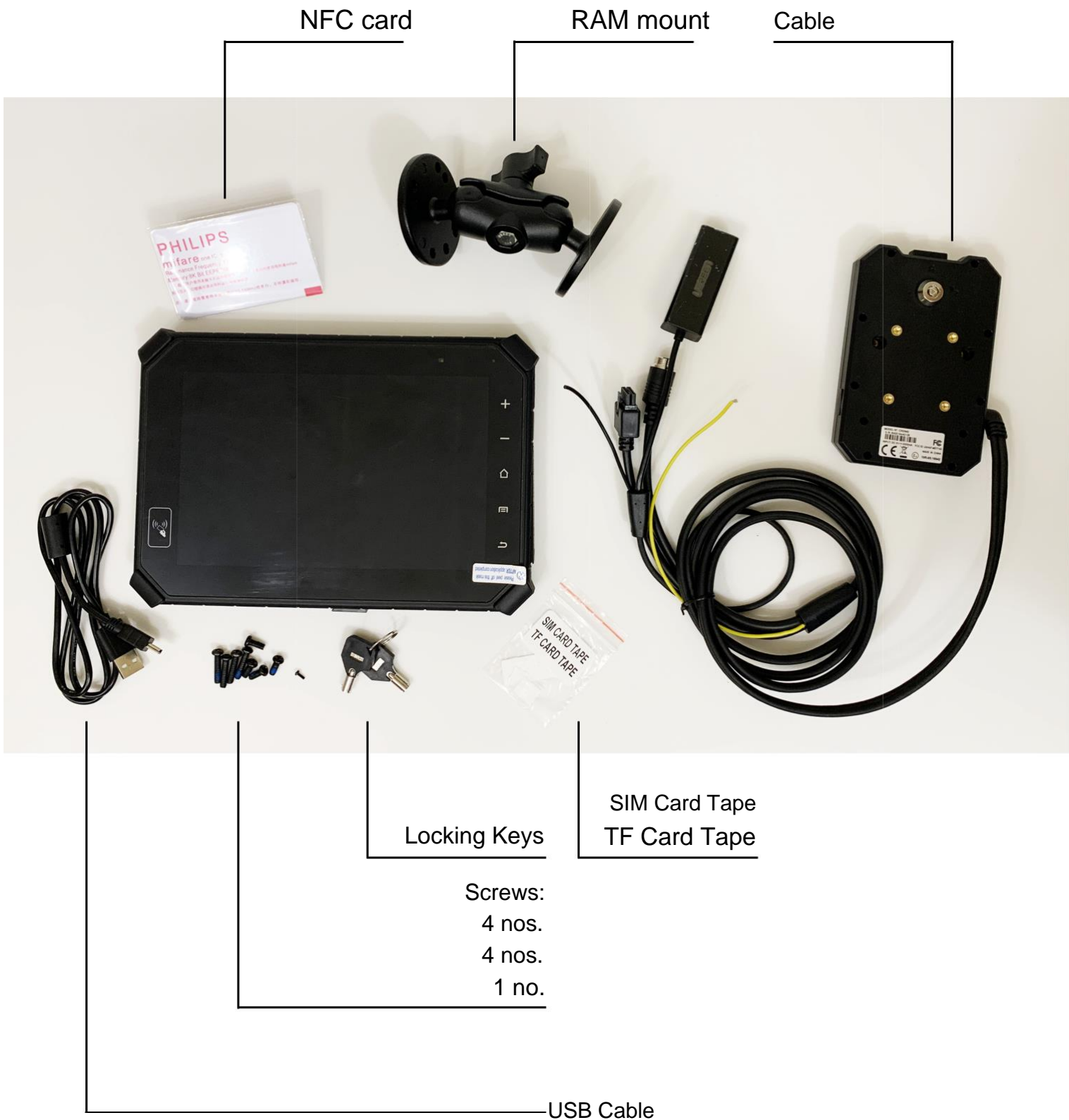
1.2 Environment

The tablet is designed for the outdoor area. It is waterproof, dustproof, and shockproof.

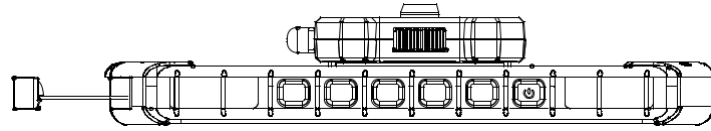
- The device can be used for up to 30 minutes in 1m deep lying water.
- You can use it in dirty and dusty environments.
- The device can be used with ambient temperatures ranging from -10°C to 60°C.
- The impact resistance was tested with a drop height of 1.0m.

2. Product Overview

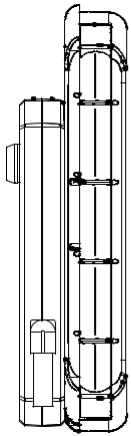
2.1 Package components



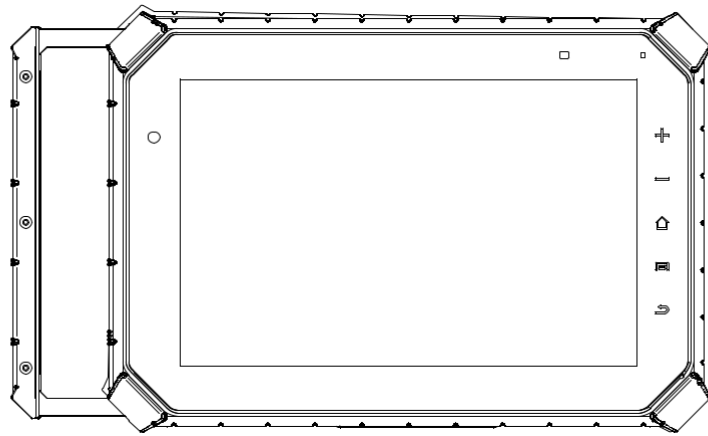
2.2 Front / Left / Right / Top / Bottom / Rear



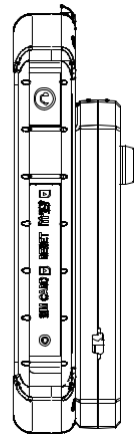
Top View



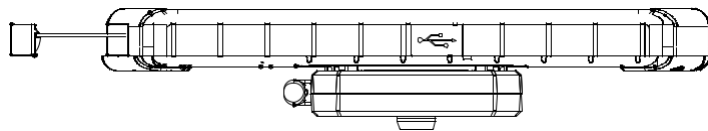
Left View



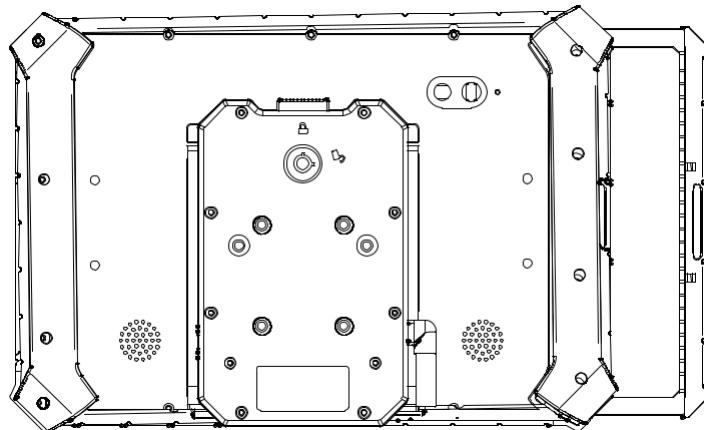
Front View



Right View



Bottom View



Rear View

3. Getting started

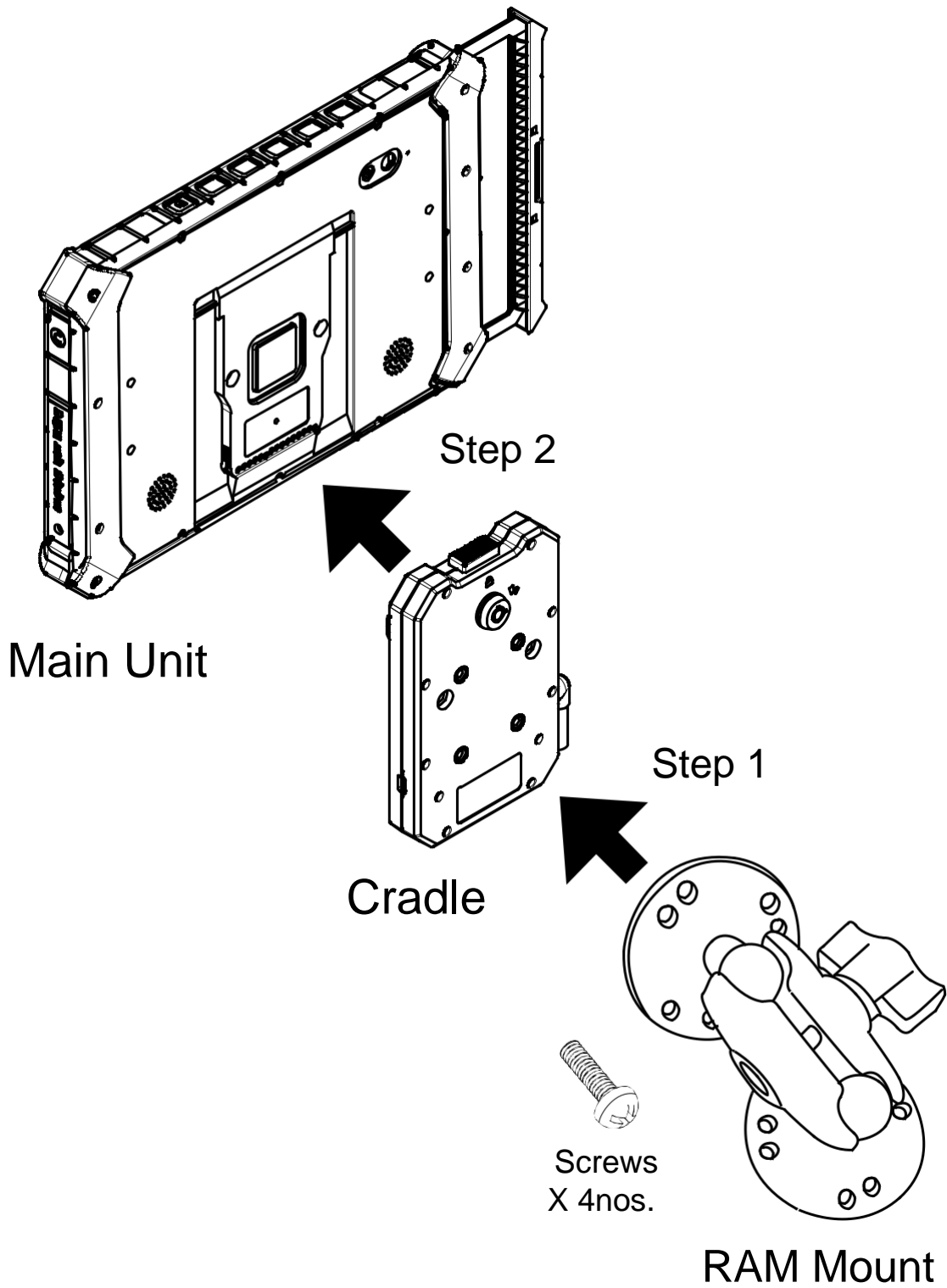
3.1 Inserting SIM card & TF card



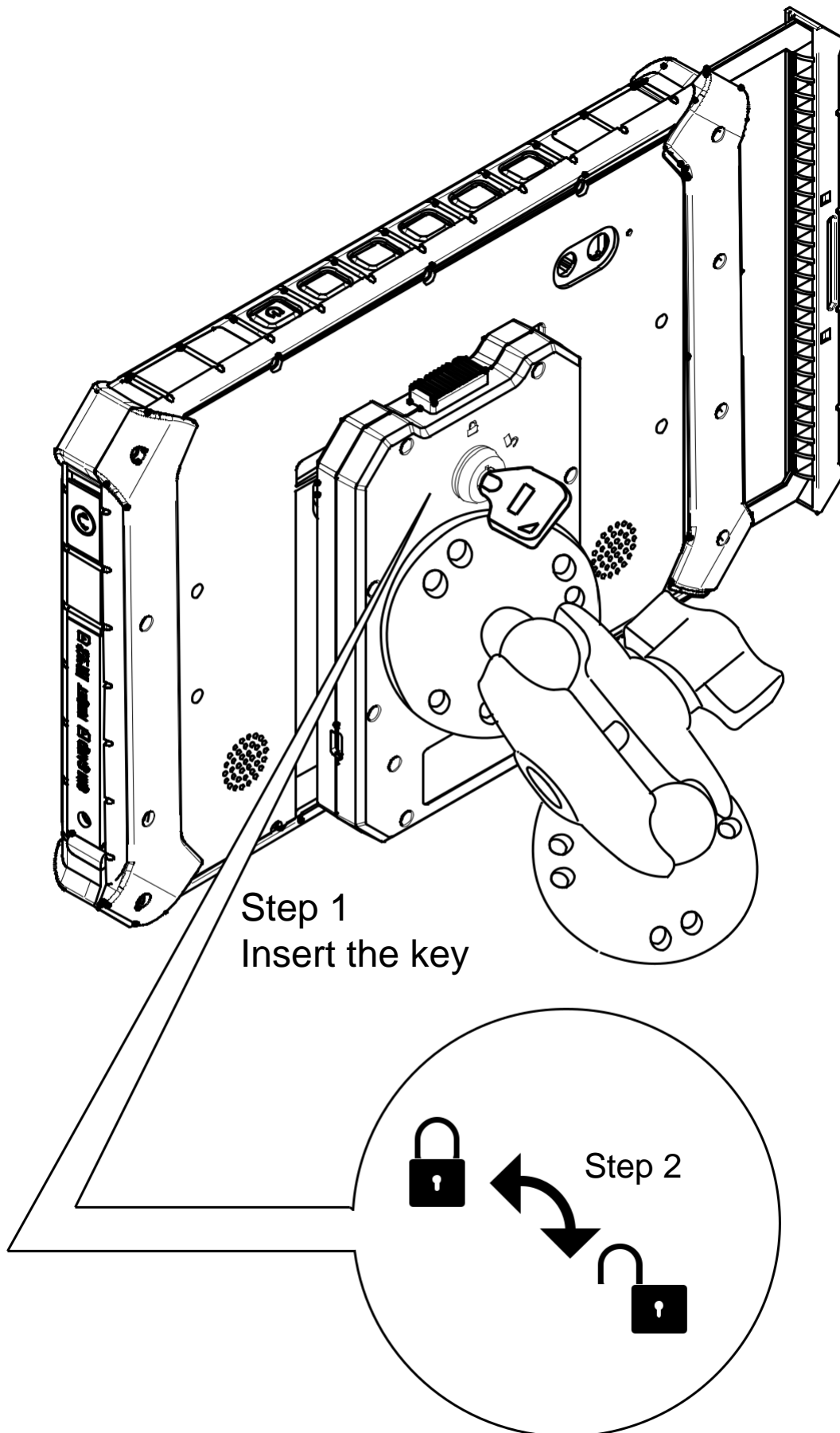
TF/SIM card

- Insert the SIM card with the gold contacts facing up.
- Insert the TF card with gold contacts facing up.
- Push the card in the direction of the arrow as shown in the picture.
- For easier removal of the SIM card/TF card from the inside card slot, please use the SIM card/TF card tape as shown in the picture.
- SIM card/TF card cover can be locked with screws to prevent loss or theft.

3.2 Mounting the RAM and Cradle

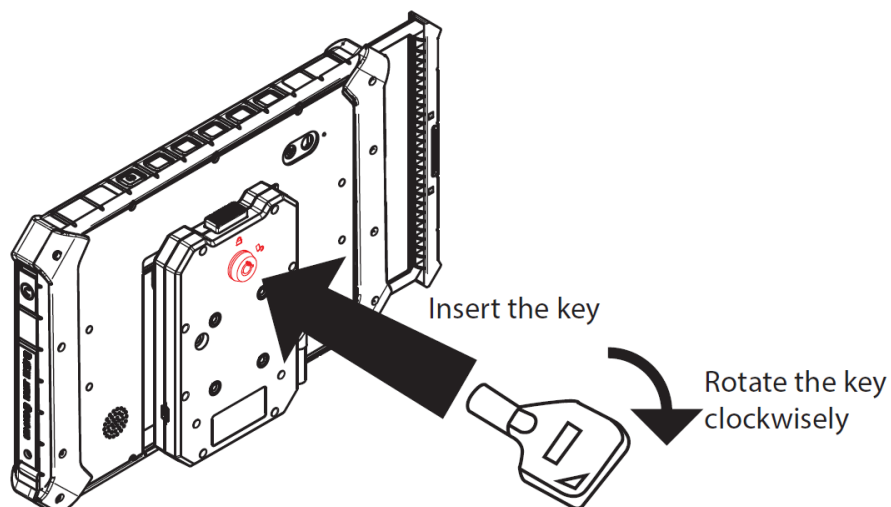


3.3 Locking Device & Unlocking device

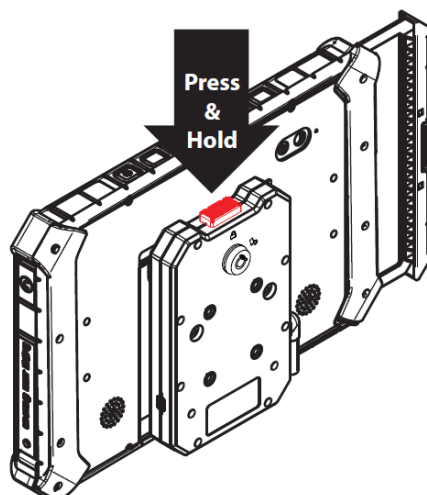


3.4 Remove device from cradle

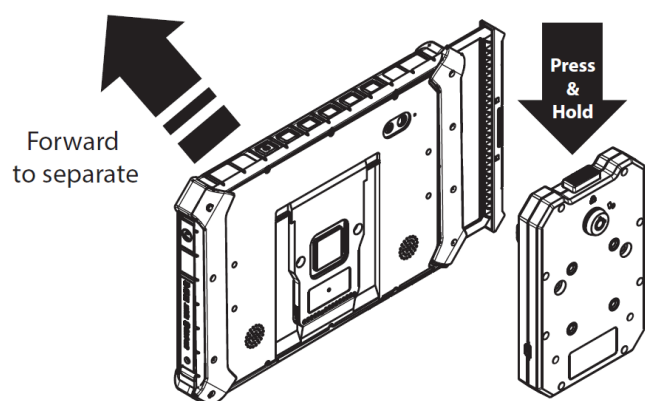
1. Insert the key, rotate the key clockwise to unlock cradle.



2. Press and hold the release button on the cradle.



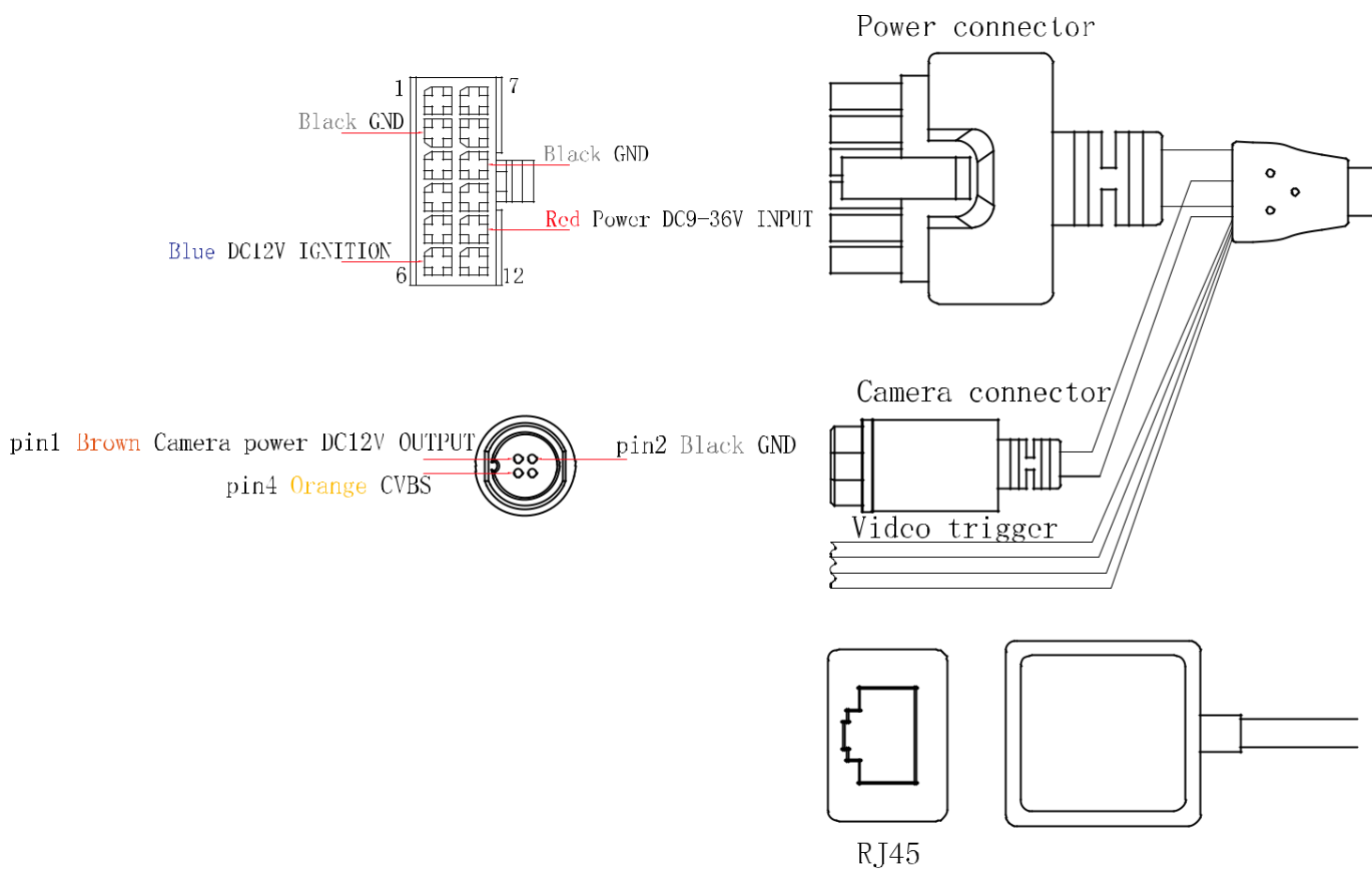
3. Separate the main unit and cradle.



3.5 Cradle cable pin assignment

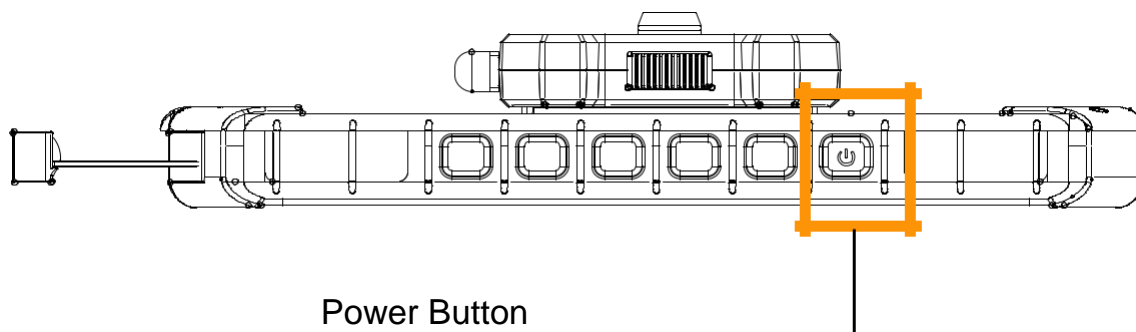
Interface

There are RJ45 and video input interfaces.

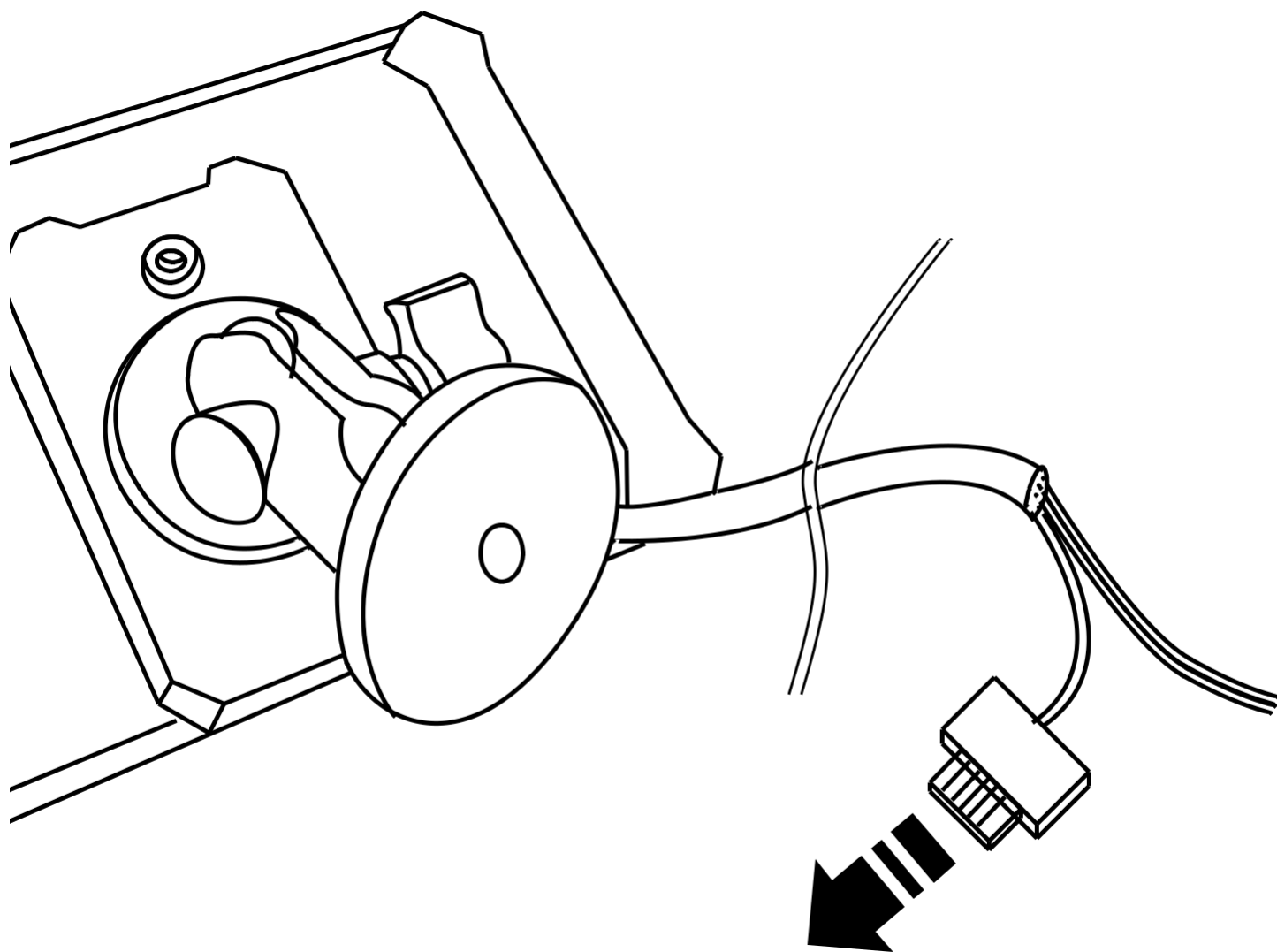


3.6 Turning On Device

Press Power button to turn on the device.



3.7 Charging Device



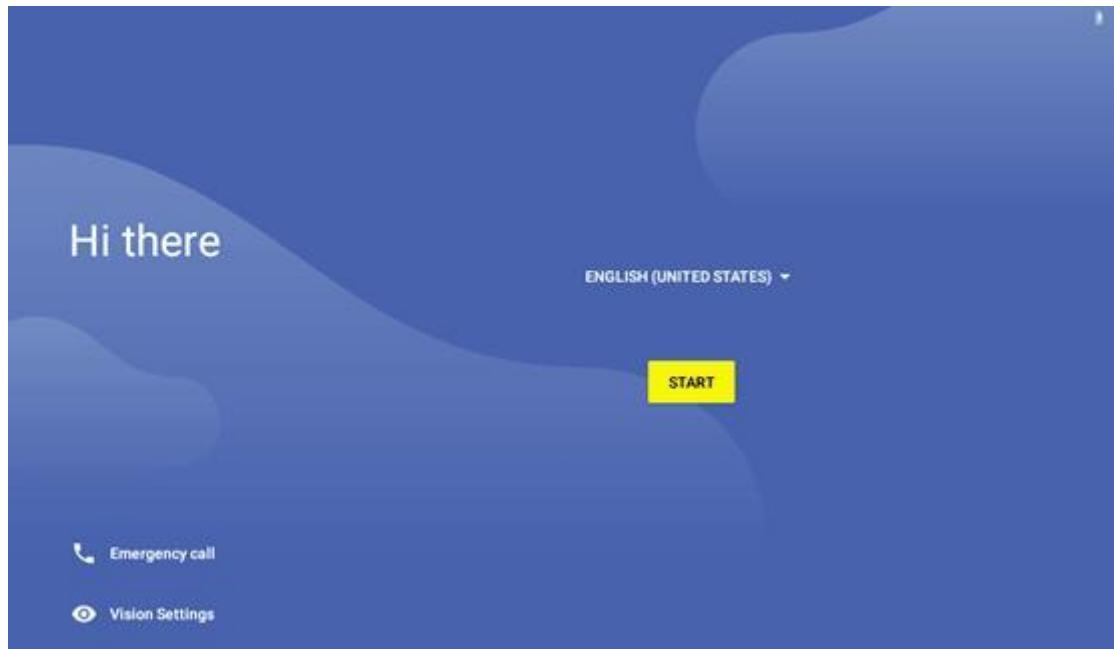
Plug into vehicle power supply

Notice & Warning

PLEASE CHARGE AND DISCHARGE THE DEVICE IN ONE CYCLE AT ROOM TEMPERATURE WHEN DEVICES ARE STORED FOR HALF A YEAR OR LONGER.

4. Android Tutorial

4.1 Start Screen



4.2 Home Screen

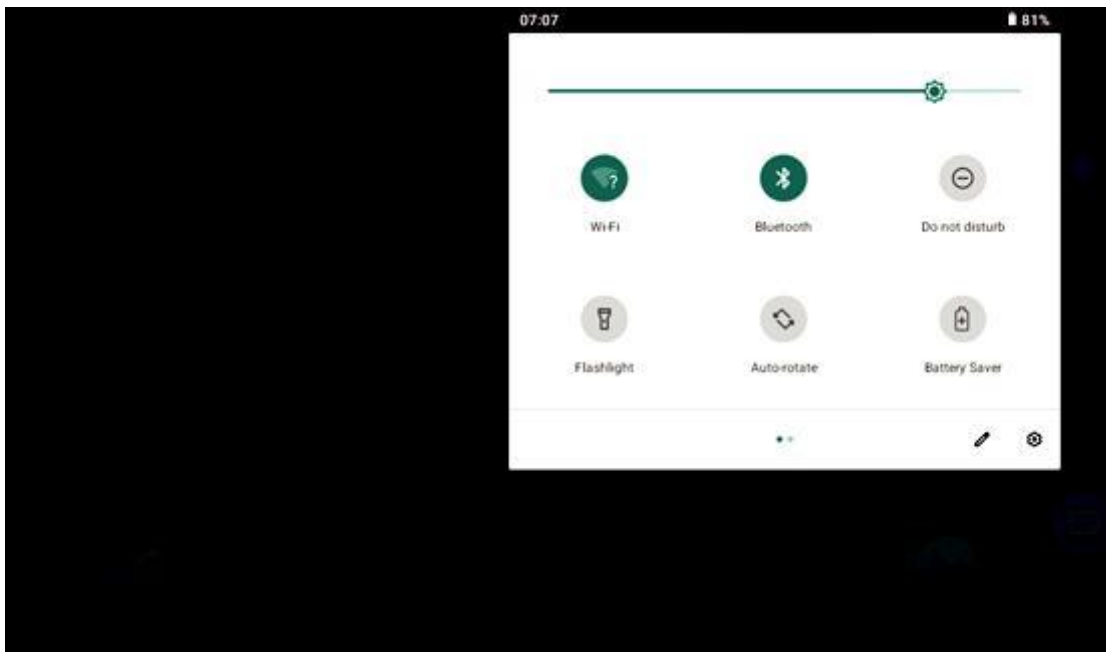


4.3 Status Bar

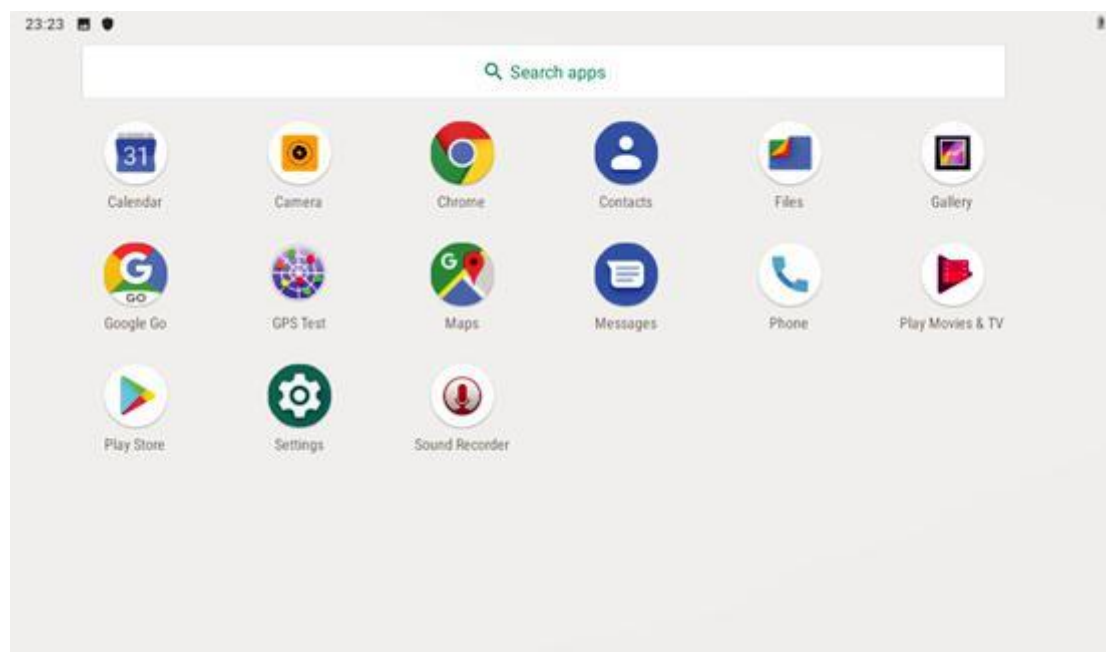
The status bar shows your tablet's status and notifications

The notification panel is your center for new events: like new e-mail, voicemail, updates, and more.

Drag down to display notifications. Touch a notification to respond.



4.4 APP Screen



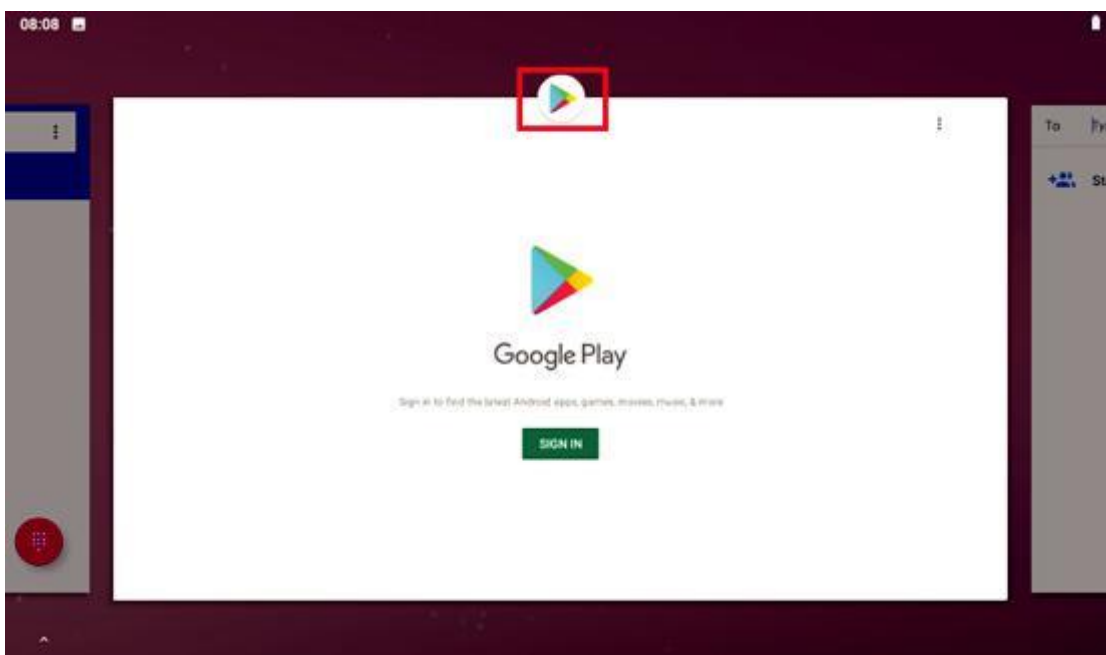
4.5 Switching between apps

Switching between home screen and app screen.

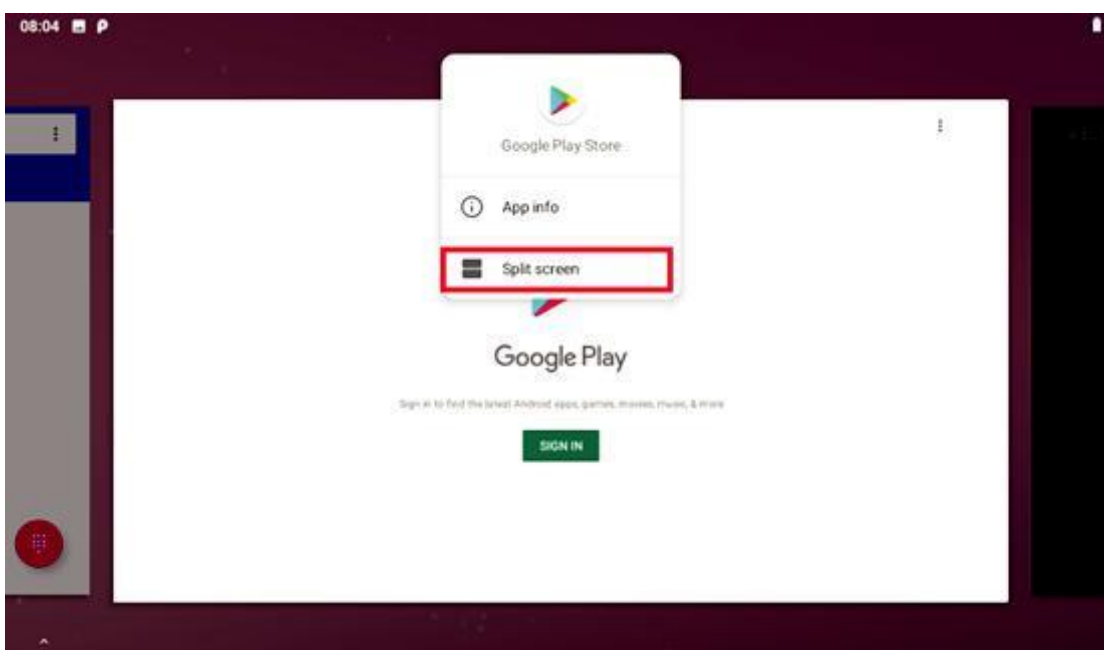
Slide your fingers up from the bottom of the home screen.

Split screen:

- Press the recent key to the right of the touch screen to display the recent applications history.
- Press and hold the icon on top of the application you want to split screen.

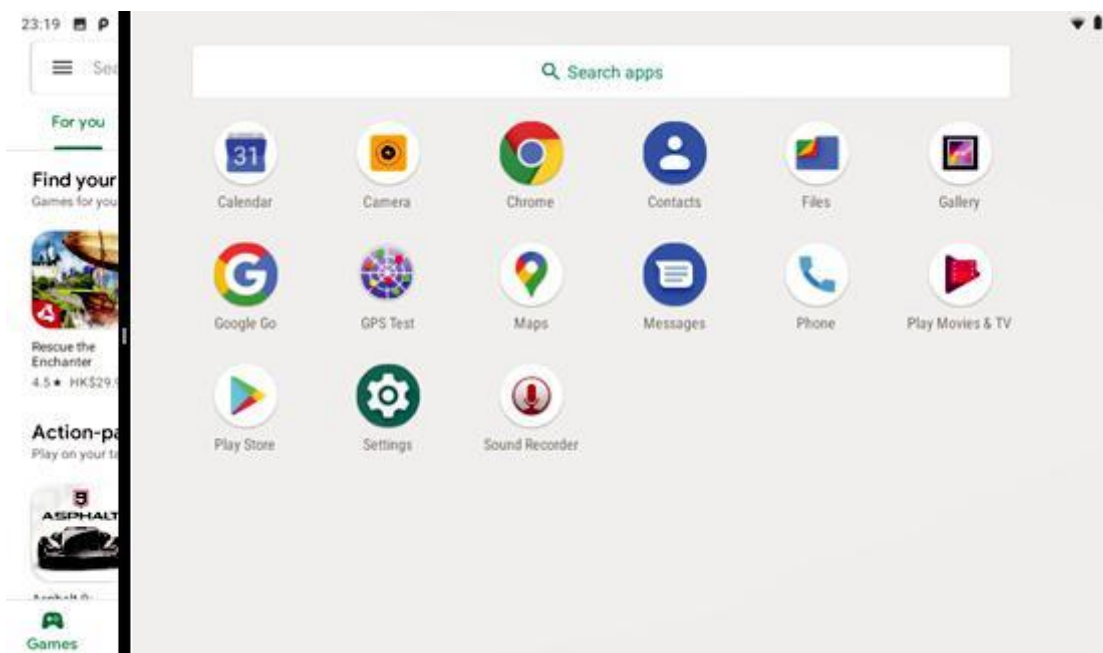


- Click Split screen.

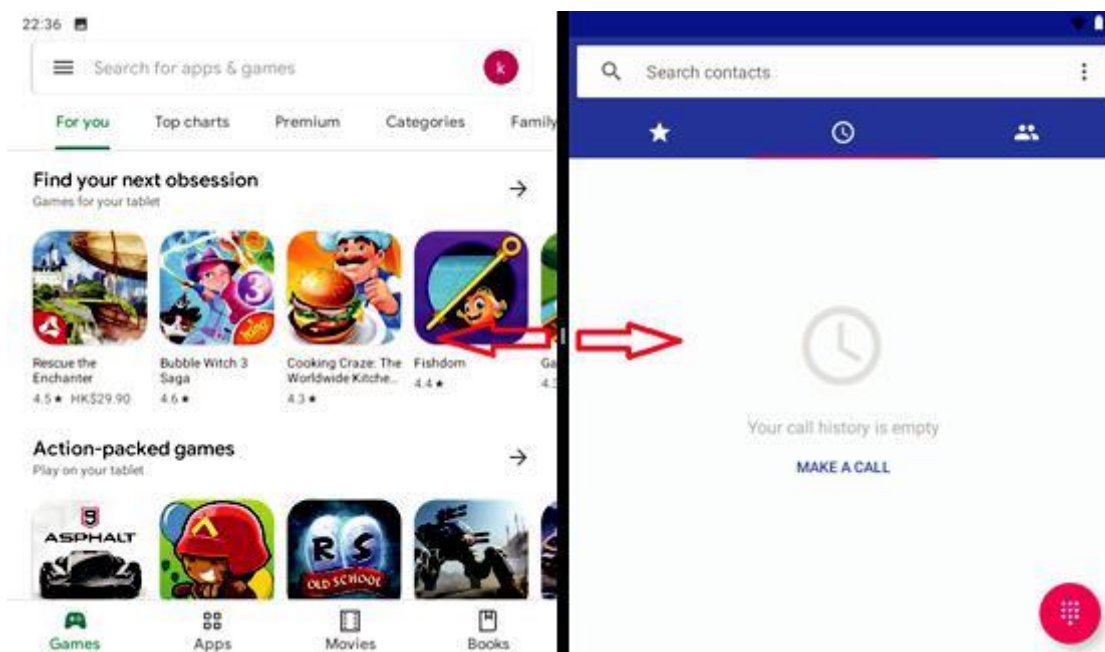


4.6 Viewing two apps at once

- Select second app displayed at the same time.

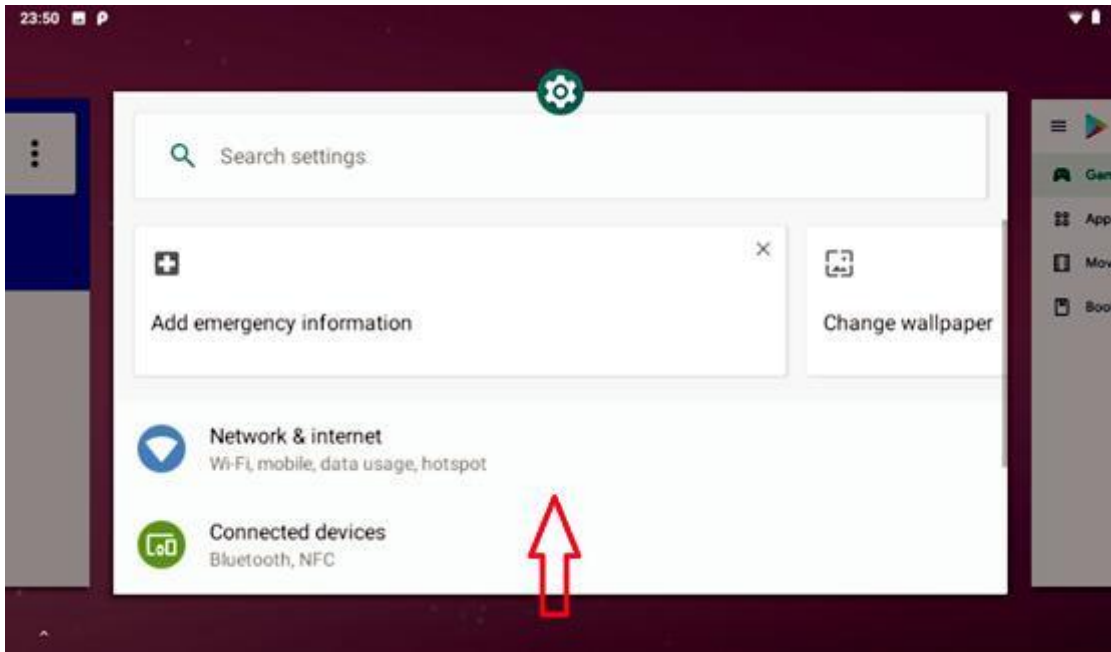


- When the second app appears, drag it to the left or right side of the screen.
- Release the app. You can press and drag the dividing line in the center to resize the apps.



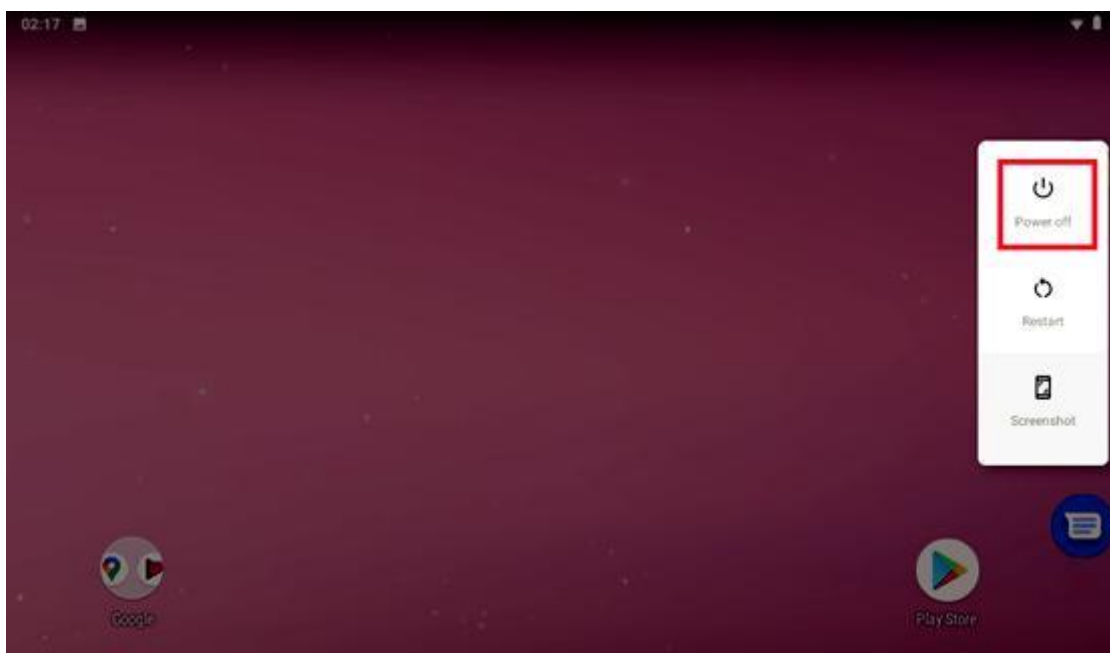
4.7 Closing active Apps:

1. Press the recent key to the right of the touch screen
2. Slide your fingers up from the bottom of the application you want to close



4.8 Turning of the device:

Press and hold the power button for about three seconds to choose power off.



5. Connecting to Networks

5.1 Connecting to Wi-Fi network:

1. Tap Settings icon to open settings menu.
2. In the Settings menu, tap Network & internet.
3. Tap the Wi-Fi toggle to enable Wi-Fi connections.
4. When the list of Wi-Fi networks appears, tap an available network.
5. Tap Connect.
6. Type in the password to connect to the network.
7. After you connect to a Wi-Fi network, the device will automatically connect to this mobile network whenever it is within range.

5.2 Connecting to Mobile network:

1. Insert a SIM card
2. In the Settings menu, tap Network & internet
3. Tap Mobile network
4. Enable Mobile data
5. It will show the 4G icon on the status bar if the 4G network is connected.

5.3 Sharing a Mobile connection:

To share a connection to a mobile network with other devices, follow these steps:

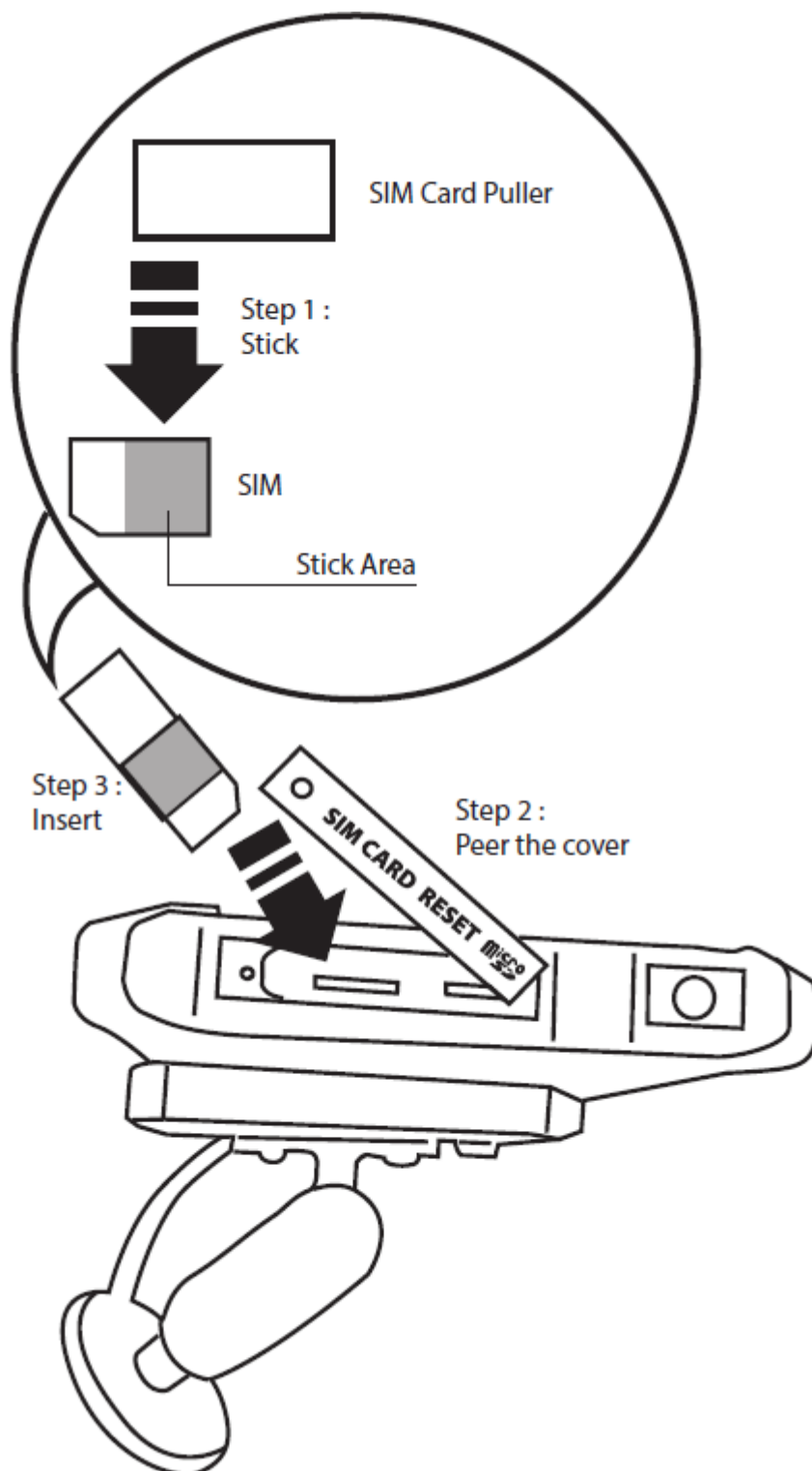
1. Tap settings to open setting menu.
2. Tap Hotspot & tethering.
3. Tap Wi-Fi hotspot and tap the toggle switch to turn on network sharing.
4. Specify the name of the network and the password.
5. On the other device, locate the network and enter the password to log in.

5.4 Disconnecting from a network:

1. Tap settings to open setting menu.
2. Tap Hotspot & tethering.
3. Tap Wi-Fi hotspot and tap the toggle switch to turn off network sharing.

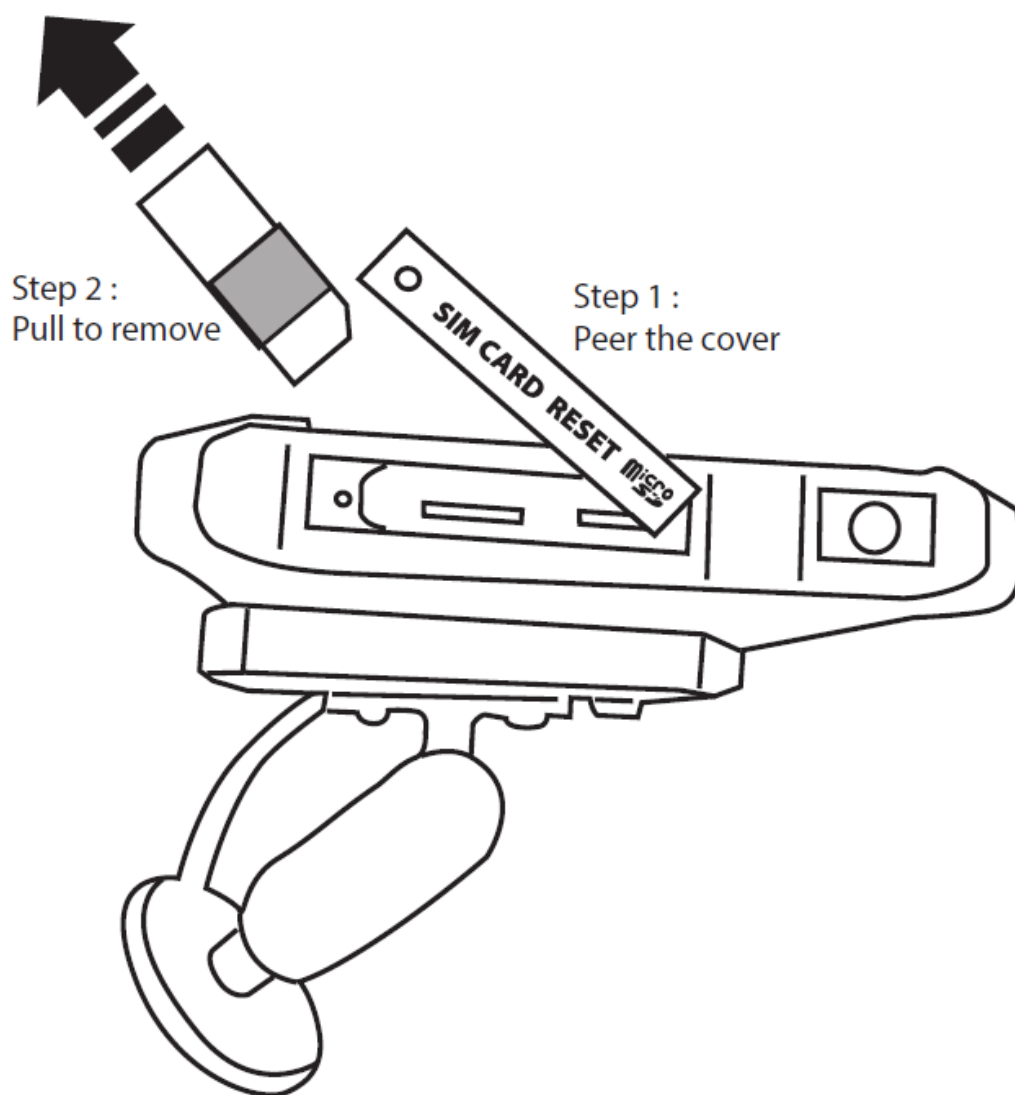
6. Using Card Slots

6.1 Inserting SIM card



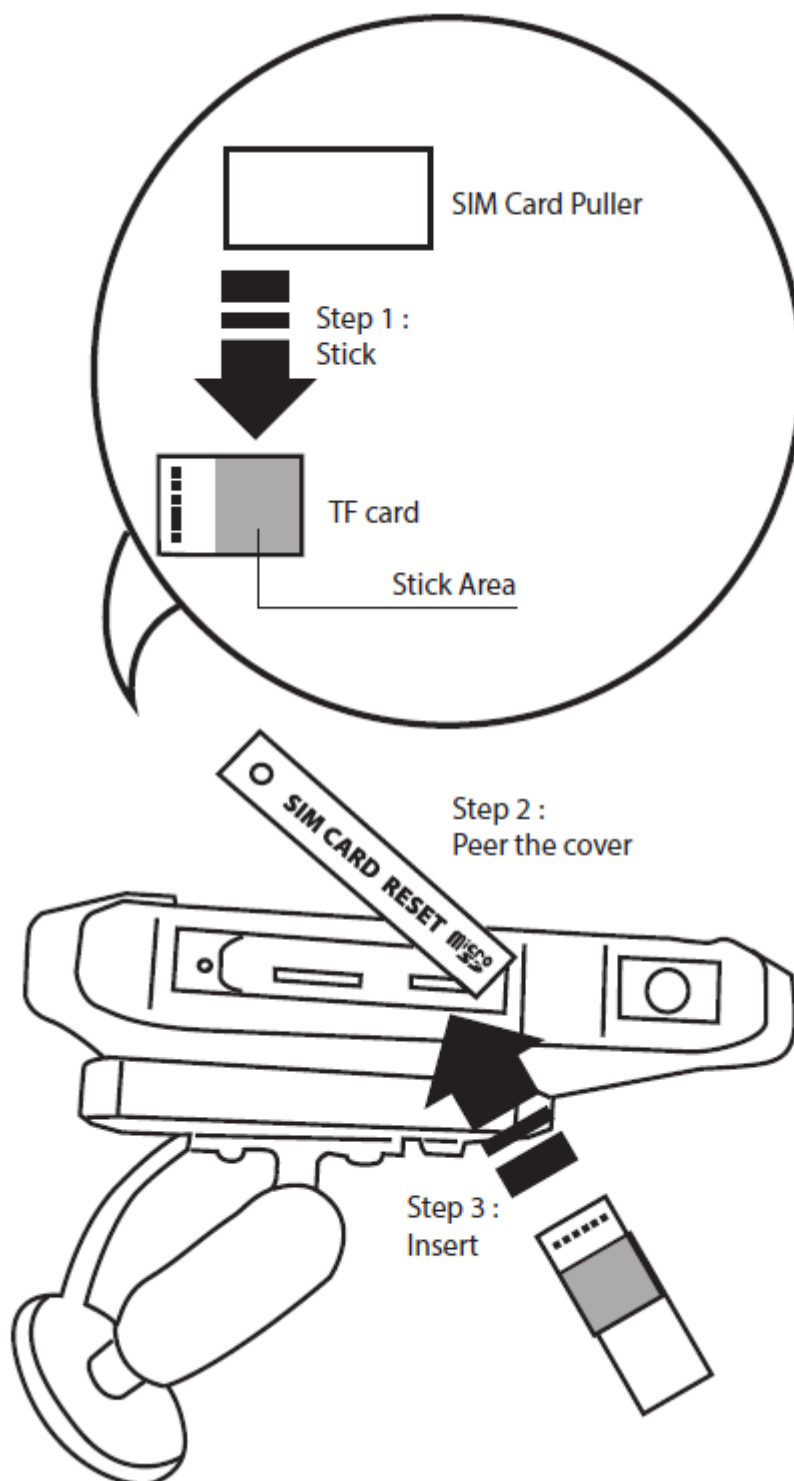
Insert: SIM Card Puller helps to insert SIM Card easily.

6.2 Removing SIM card



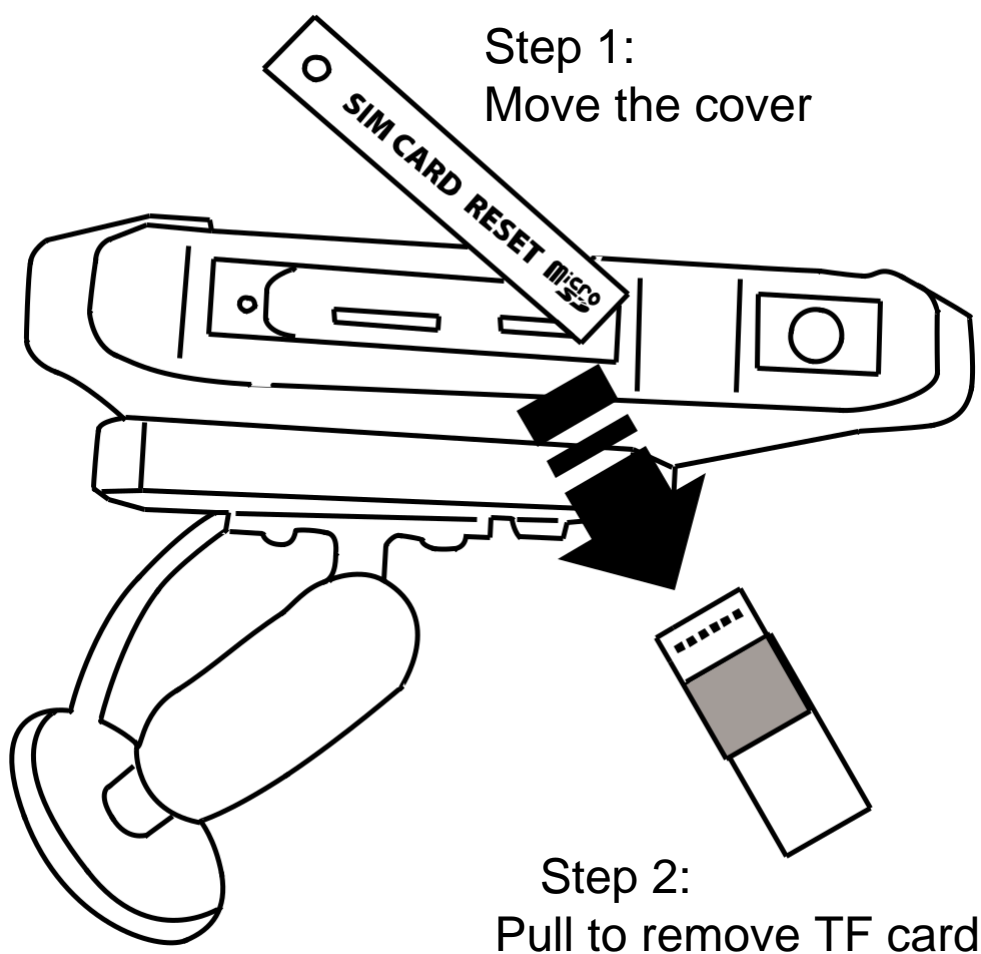
Remove: SIM Card Puller helps to pull-out SIM Card easily.

6.3 Inserting TF card



Insert: TF Card Puller helps to insert TF Card easily.

6.4 Removing TF card



Remove: TF Card Puller helps to pull-out TF Card easily.

7. Specification

Model		
8"		MDT860
Hardware		
CPU		MTK platform 2GHz oct core CPU
GPS		high sensitivity receiver, 64 channels
4G / 3G module / GSM module		2 version (EUR and NAR) with voice call: EUR - (European market) <ul style="list-style-type: none"> • GSM: 900/1800Mhz • WCDMA – 850/900/2100Mhz • FDD (4G, EUR) – B1, B3, B5, B7, B8, B20 NAR- (North American market) <ul style="list-style-type: none"> • GSM: 850/1900MHz • WCDMA: 850/1700/1900Mhz • FDD (4G, NAR) – B2, B4, B5, B12, B17
Bluetooth		V2.1 and V4.0 with data transfer (OPP profile)
WLAN		Wi IEEE 802.11 b/g/n
Camera (back camera)		16MP autofocus camera and flashlight
Camera (front camera)		Optional but not default
Analog video input		Default 1x 1080p AHD video input
RFID		Yes, optional
g-sensor		Yes, default
Light sensor		Yes, default
GYROSCOPE		Yes, default
Wireless module		Optional, Lora module
Display		8" color TFT touch screen (1280x800, capacitive Touch panel)
Memory	ROM (SLC/MLC)	32G NAND flash (dual layout for flash and eMMC)
	RAM (DDR)	2GB DDR4
	Extend Slot	Micro SD (T Flash) card
Antenna		Internal antenna
LED indicator		Two-color LED (Red/Green)
Interface	Type C USB Connector	USB2.0 connection and power charging
	Pogo pins	Pin 1&2 – 5V Vcc Pin 10 - Video trigger Pin 3&4 – USB (D+, D-) Pin 11 – ID pin Pin 5&6 – GND Pin 12&13 – I C Pin 7&8 – RS232 (Tx/Rx) Pin 14 – ignition Pin 9 – Video input Pin 15 - 9-36V input
	SIM card slot	Yes

Battery	Capacity	6300mAh (default)
	Standby	NA
	Operating Time	NA

Software	
Operating System	Android version 9.0
Android applications	TBD
Navigation software	TBD
Packaging Details	
1pc main unit and 1pc cradle	

8. Customization Services

Topicon's device management server is developed to allow customers to update various firmware and to make kiosk mode function:

- BOOT ANIMATION
- INSTALL APK
- ADD APN
- DEFAULT SETTING
- CUSTOMIZED BUTTON

kiosk mode quick start guide:

https://docs.google.com/document/d/1nsodkquYQnlz6K0846ZwTNscECbnMiOzaJD_81x3cDo/edit

9. Safety and Regulatory Compliance

FCC RF Exposure Information and Statement

This device meets the government's requirements for exposure to radio waves.

The guidelines are based on standards that were developed by independent scientific organizations through periodic and thorough evaluation of scientific studies. The standards include a substantial safety margin designed to assure the safety of all persons regardless of age or health. The SAR limit of USA (FCC) is 1.6 W/kg averaged.

Device types: portable device has also been tested against this SAR limit. SAR information on this and other devices can be viewed online at

<http://www.fcc.gov/oet/ea/fccid/> Please use the device FCC ID number when searching.

This device was tested simulating a typical distance of 0mm between body and device.

To maintain compliance with FCC RF exposure requirements, the use of accessories should maintain a separation distance between the user's bodies mentioned above.

FCC Warning

This device complies with Part 15 of the FCC Rules.

Operation is subject to the following two conditions:

- (1) This device may not cause harmful interference, and
- (2) This device must accept any interference received, including interference that may cause undesired operation.

NOTE 1: This equipment has been tested and found to comply with the limits for a Class B digital device, pursuant to part 15 of the FCC Rules. These limits are designed to provide reasonable protection against harmful interference in a residential installation.

This equipment generates, uses, and can radiate radio frequency energy and, if not installed and used in accordance with the instructions, may cause harmful interference to radio communications. However, there is no guarantee that interference will not occur in a particular installation.

If this equipment does cause harmful interference to radio or television reception, which can be determined by turning the equipment off and on, the user is encouraged to try to correct the interference by one or more of the following measures:

- Reorient or relocate the receiving antenna.
- Increase the separation between the equipment and receiver.
- Connect the equipment into an outlet on a circuit different from that to which the receiver is connected.
- Consult the dealer or an experienced radio/TV technician for help.

NOTE 2: Any changes or modifications to this unit not expressly approved by the party responsible for compliance could void the user's authority to operate the equipment.

CE

The product shall only be connected to a USB interface of version USB2.0 and that the connection to a power USB is allowed.

Use careful with the earphone maybe possible excessive sound pressure from earphones and headphones can cause hearing loss.



CAUTION
RISK OF EXPLOSION IF BATTERY IS REPLACED
BY AN INCORRECT TYPE.
DISPOSE OF USED BATTERIES ACCORDING
TO THE INSTRUCTIONS